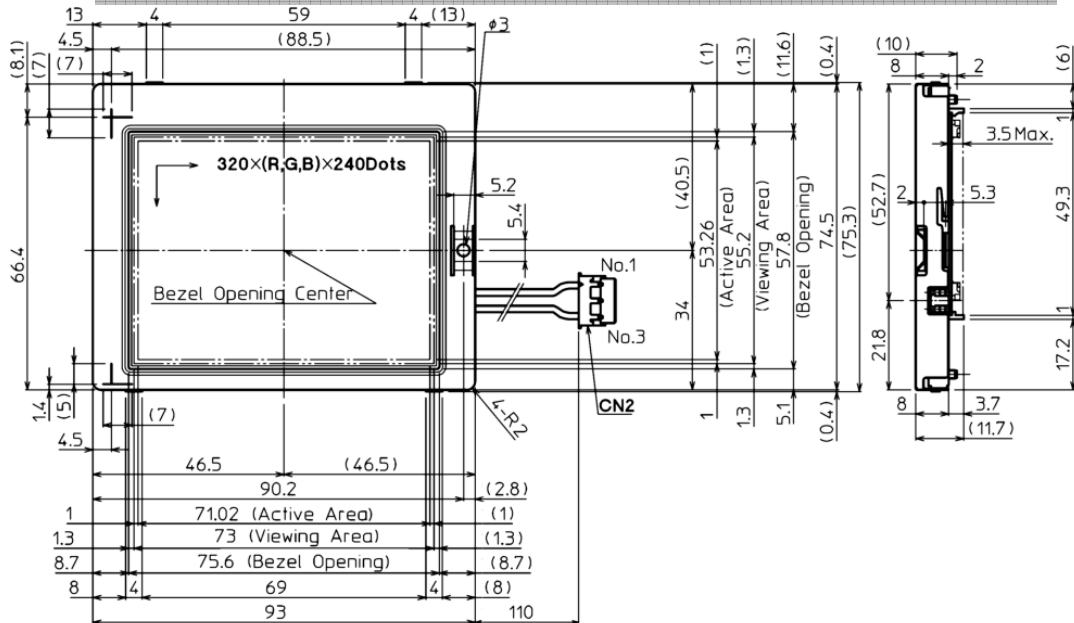


Symmetrical Design

3.5" Passive Matrix Color LCD Module
KCG035QV1AA-G00



Features

- Symmetrical Design (Horizontal)
- Long Life CFL 75,000(h)
- DC-DC Converter Included
- Wide Viewing Angle
(Vertical=120deg./Horizontal=100deg.)
- RoHS Compliant

Applications

- Display for Industrial Machine
- Measuring Instrument, Chart Recorder, Scale
- Musical Instrument

Specification

ITEM	SPECIFICATION	UNIT
Dot Format	(320×RGB) × 240	dot
Dot Pitch	0.074 × 0.222	mm
Outline Dimensions	93 × 75.3 × 11.7	mm
Mass	80	g
Contrast Ratio	50:1	—
Brightness	350	cd/m ²
Response Time	450	ms
Viewing Angle (V/H)	120/100 (CR≥2)	deg.
Power Consumption	63.0 (VDD=3.3V) 65.0 (VDD=5.0V) (LCD) 1.75 (Backlight)	mW W
Backlight	CFL (Single Tube)	—
Duty	1/240	—

ATTENTION : Specification subject to change without notice.
 Please check the latest version of the product specification.

KYOCERA CORPORATION
 LCD Division