

SPEC.NO. TQ3C-8EACO-E1AAYH24-00

DATE October 7, 1996

S P E C


FOR :

TYPE : KCS6448HSTT-X21

(SYHKWOTGOC68100)

C O N T E N T S

1. Application
2. Construction and Outline
3. Mechanical Specifications
4. Absolute Maximum Ratings
5. Electrical Characteristics
6. Optical Characteritics
7. Circuit Block Diagram
8. Interface Signals
9. Interface Timing Chart
10. Data and Screen
11. Input Timing Characteristics
12. Supply Voltage Sequence Condition
13. Backlight Characteristics
14. Lot Number Identification
15. Warranty
16. Precaution for Use
17. Reliability Data / Environmental Test
18. Outline Drawing

Issued
 Date: OCT. 9, 1996
 KYOCERA
 Hayato LCD Division

KYOCERA CORPORATION
KAGOSHIMA HAYATO PLANT

Original	Designed by : Engineering Dept.			Confirmed by : QA Dept.	
Issue Data	Prepared	Checked	Approved	Checked	Approved
October 7, 1996	T. Masuda	H. Taike	T. Minami	S. Hayashi	Y. Yoshida

Revision Record

Date		Designed by : Engineering Dept.			Confirmed by : QA Dept.	
		Prepared	Checked	Approved	Checked	Approved
Rev. No.	Date	Page	Descriptions			

1. Application

This data sheet defines the specification for a (640×3)×480 dot ,STN color dot matrix type Liquid Crystal Display with CFL backlight.

2. Construction and Outline

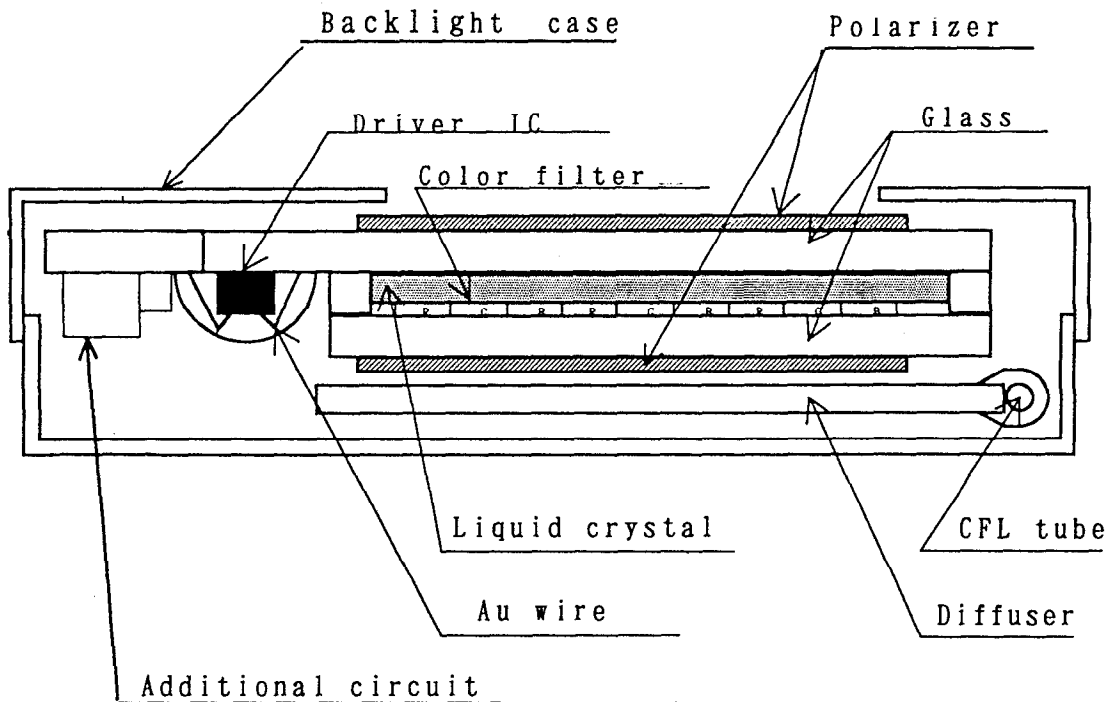
(640×3)×480 dots, COG type LCD with CFL backlight.

Backlight system : Side-edge type CFL.(2 tubes)

Inverter : Option
Recommended Inverter:KCI-04(HITACHI MEDIA ELECTRONICS)

Polarizer : Non-Glare treatment.

Additional circuit : Bias voltage circuit, Randomizing circuit.



3. Mechanical Specifications

ITEM	SPECIFICATION	UNIT
Outline dimensions	253.2(W) × 187.4(H) × 11.0 _{MAX} (D)	mm
Effective viewing area	214.18(W) × 161.38(H)	mm
Dot number	(640×3)(W) × 480(H)	Dots
Dot size	0.09 (W) × 0.31 (H)	mm
Dot pitch	0.11 (W) × 0.33 (H)	mm
Display color *1	White *2	—
Base color *1	Black *2	—
Weight	580	g

*1 Due to the characteristics of the LC material, the color vary with environmental temperature.

*2 Negative-type display

Display data "H" :R,G,B Dots ON : White

Display data "L" :R,G,B Dots OFF : Black

4. Absolute Maximum Ratings

4-1 Electrical absolute maximum ratings

Temp. = 25 °C

ITEM	SYMBOL	MIN.	MAX.	UNIT
Supply voltage for logic	VDD	0	7.0	V
Supply voltage for LCD driving	VEE	0	44.0	V
Input voltage	Vin	0	VDD	V

4-2. Environmental absolute maximum ratings

ITEM	SYMBOL	MIN	MAX	UNIT
Operating temperature	Top	0	50	°C
Storage temperature *1	T _{STO}	-20	60	°C
Operating humidity *2	H _{OP}	10	85	%RH
Storage humidity *2	H _{STO}	10	*3	%RH
Vibration	—	*4	*4	—
Shock	—	*5	*5	—

*1 Temp. = -20°C < 24Hr. , Temp = 60°C < 24Hr.
No vibration and shock.

*2 Non-condensation.

*3 Temp. ≤ 40°C, 85% RH Max.
Temp. > 40°C, Absolute Humidity shall be less than 85%RH at 40°C.

*4

Frequency	10~55 Hz	Converted to acceleration value : (0.03~0.91G)
Vibration width	0.15 mm	
Interval	10-55-10 Hz 1 minute	

2 hours in each direction X/Y/Z (6 hours as total)
EIAJ ED-2531

*5 Acceleration: 50 G
Pulse width : 11 msec
3 times in each direction : ±X/±Y/±Z.
EIAJ ED-2531, method 05, condition A.

5. Electrical Characteristics

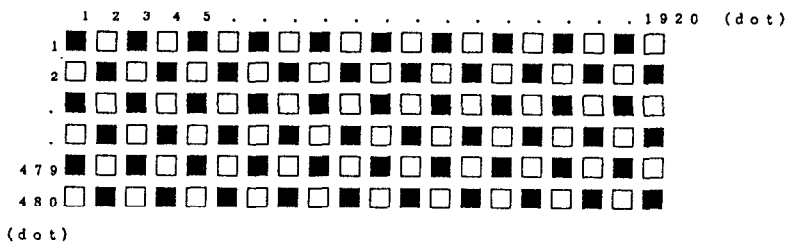
Temp. = 25°C, VDD = 5V ± 5%

ITEM	SYMBOL	CONDITION	MIN.	TYP.	MAX.	UNIT
Supply voltage for logic	VDD	—	4.75	5.00	5.25	V
Power supply for LCD drive	VEE		32.0	34.0	36.0	V
LCD driving voltage *1	Vop= VCONT	0 °C	27.1	28.1	29.1	V
		25 °C	26.6	27.6	28.6	V
		40 °C	26.1	27.1	28.1	V
Input signal voltage	Vin	"H" level	0.8VDD	—	VDD	V
		"L" level	0	—	0.2VDD	V
Clock frequency	f _{CP}		4.03	4.32	12.0	MHz
Frame frequency *2	f _{FRM}		70	75	80	Hz
Current consumption for logic	IDD	*3	—	2.6	3.9	mA
Current consumption for LCD driving	IEE		—	12.0	18.0	mA
Power consumption	Pdisp		—	344	534	mW

*1 Maximum contrast ratio is obtained by adjusting the LCD driving voltage (Vop = VCONT).

*2 In consideration of display quality, it is recommended that frame frequency is set in the range of 70–80Hz. When you have to use higher frame and clock frequencies, confirm the LCD's performance and quality prior to finalizing the frequency values: Generally, as frame and clock frequencies become higher, current consumption will get bigger and display quality will be degraded.

*3 Display pattern, (see below).
VDD = 5V , Vop = VCONT , FRM = 75 Hz , fcp = 4.32 MHz



6. Optical Characteristics

Temp. = 25°C Measuring spot = ϕ 12 mm

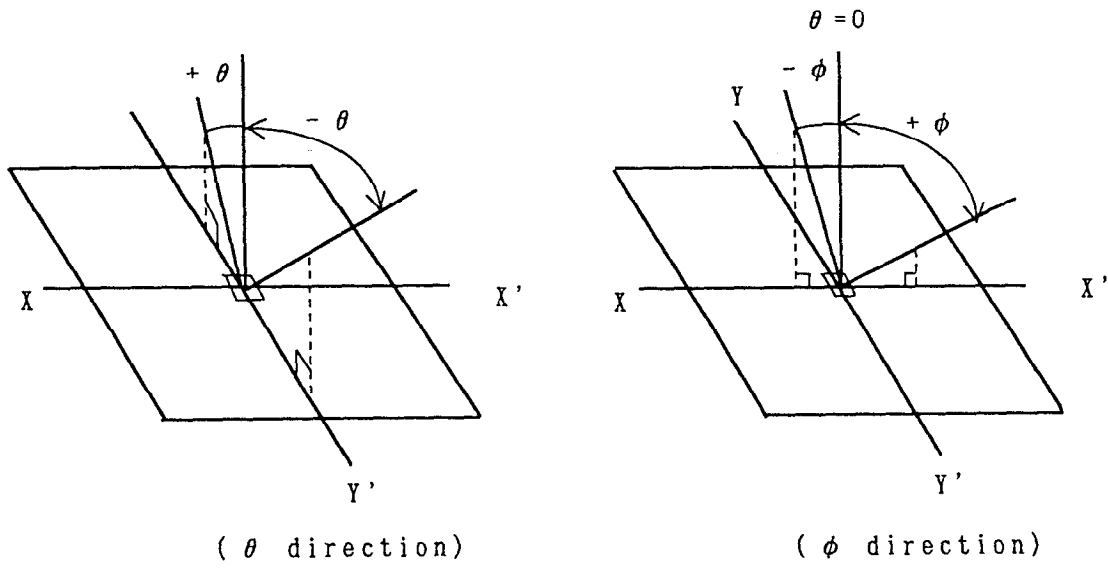
ITEM		SYMBOL	CONDITION	MIN.	TYP.	MAX.	UNIT	
Response time	Rise	Tr	$\theta = \psi = 0^\circ$	—	160	260	ms	
	Down	Td	$\theta = \psi = 0^\circ$	—	80	180	ms	
Viewing angle range		θ	CR \geq 2	$\psi = 0^\circ$	-35	—	50	deg.
		ψ		$\theta = 0^\circ$	-50	—	50	deg.
Contrast ratio		CR	$\theta = \psi = 0^\circ$	10.0	25.0	—	—	
Chromaticity coordinates	Red	x	$\theta = \psi = 0^\circ$	0.50	0.55	0.60	—	
		y		0.29	0.34	0.39		
	Green	x	$\theta = \psi = 0^\circ$	0.25	0.30	0.35		
		y		0.51	0.56	0.61		
	Blue	x	$\theta = \psi = 0^\circ$	0.11	0.16	0.21		
		y		0.09	0.14	0.19		
	White	x	$\theta = \psi = 0^\circ$	0.26	0.31	0.36		
		y		0.28	0.33	0.38		
	Black	x	$\theta = \psi = 0^\circ$	0.27	0.32	0.37		
		y		0.27	0.32	0.37		

Optimum contrast is obtained by adjusting the LCD driving voltage(Vop) while at the viewing angle of $\theta = \psi = 0^\circ$.

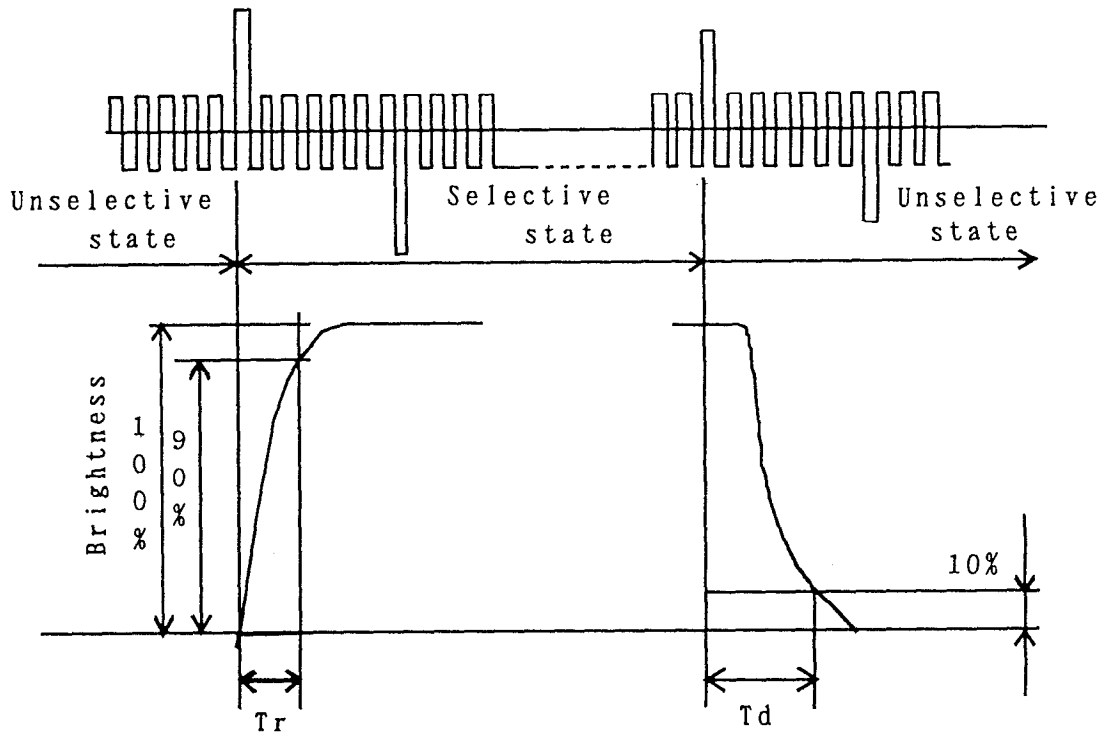
6-1. Contrast ratio is defined as follows:

$$CR = \frac{\text{Brightness all pixels "White"}}{\text{Brightness all pixels "Black"}}$$

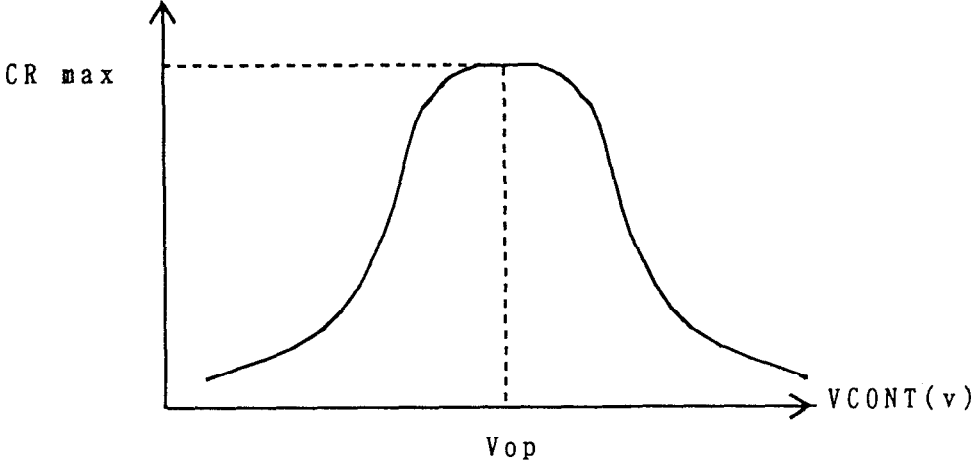
6-2. Definition of viewing angle



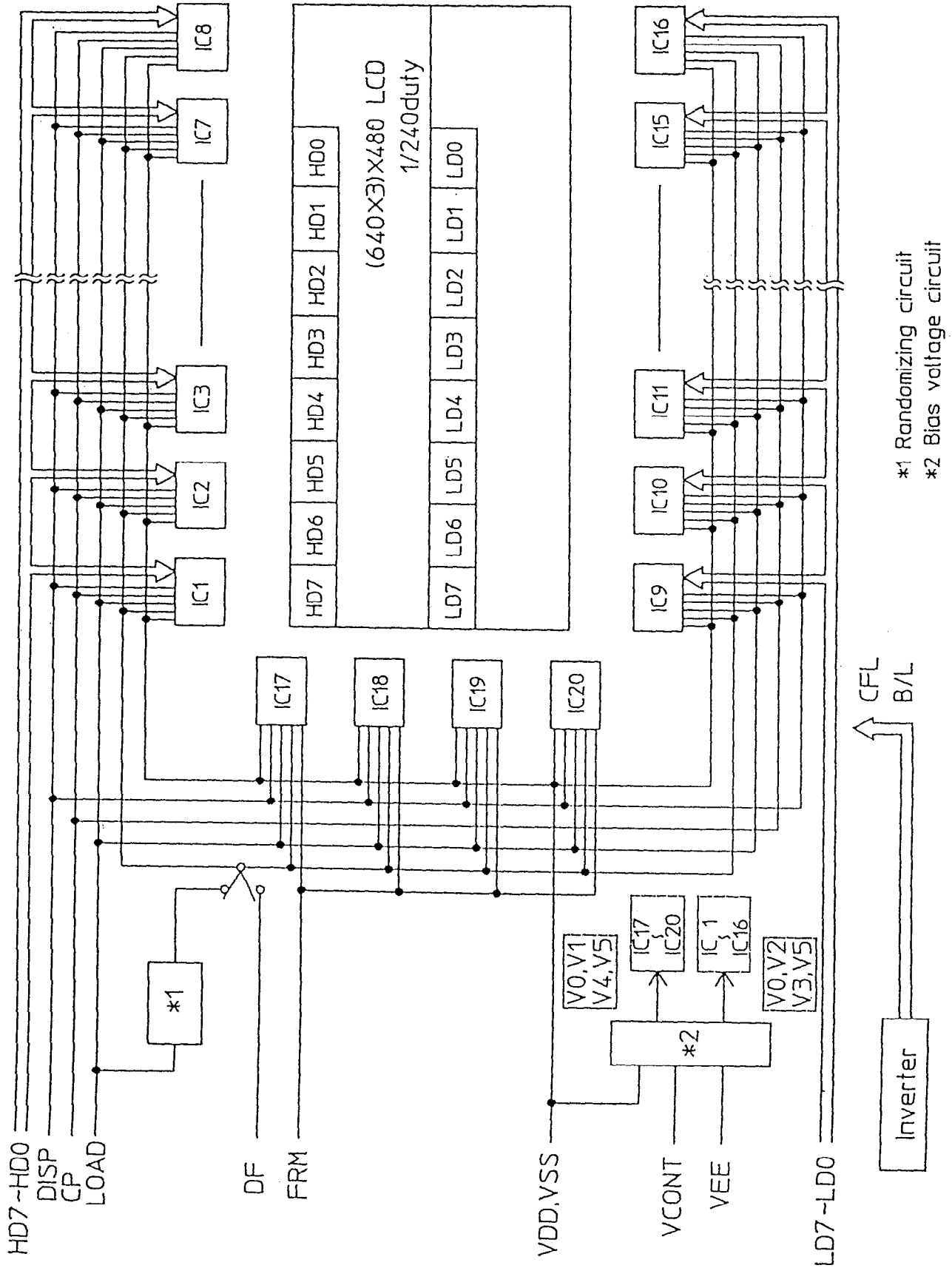
6-3. Definition of response time



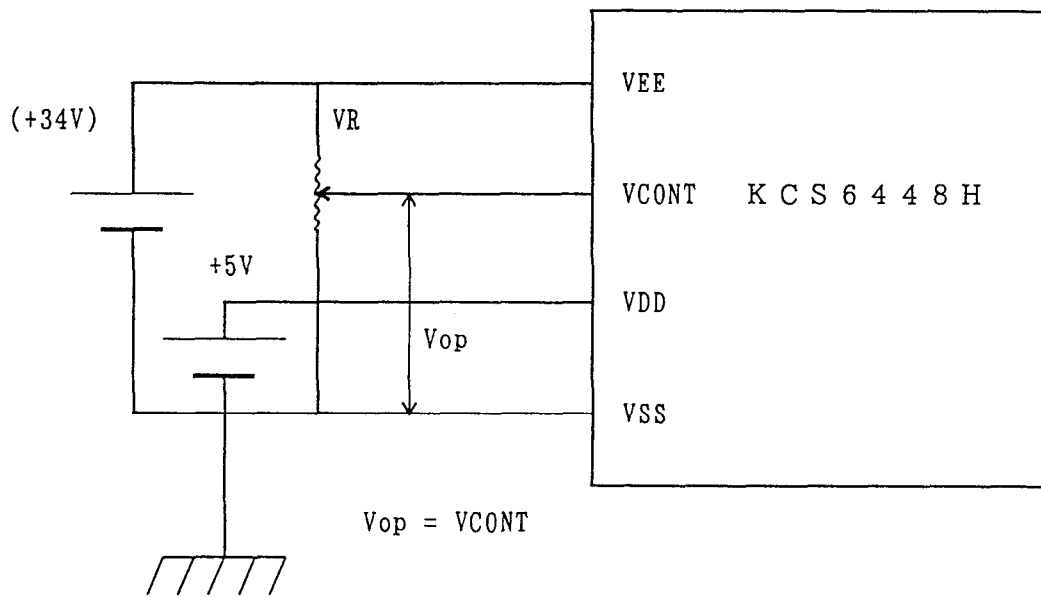
6-4 .Definition of Vop



7. Circuit Block Diagram



7-1. Power supply



8. Interface Signals

8-1. LCD

CN1:53261-1510(Molex)

PIN NO.	SYMBOL	DESCRIPTION	LEVEL
1	FRM	Synchronous signal for driving scanning line	H
2	NC	No connect	-
3	DISP	Display control signal	H(ON),L(OFF)
4	LOAD	Data signal latch clock	H → L
5	VSS	GND	-
6	CP	Data signal shift clock	H → L
7	VSS	GND	-
8	HDO	Display data (Upper column)	H(ON),L(OFF)
9	HD1		
10	HD2		
11	HD3		
12	HD4		
13	HD5		
14	HD6		
15	HD7		

Recommended matching connector:51021-1500(Molex)

CN2:53261-1410(Molex)

PIN NO.	SYMBOL	DESCRIPTION	LEVEL
1	LDO	Display data (Lower column)	H(ON),L(OFF)
2	LD1		
3	LD2		
4	LD3		
5	LD4		
6	LD5		
7	LD6		
8	LD7		
9	VDD	Power supply for logic	-
10	VSS	GND	-
11	NC	No connect	-
12	VEE	Power supply for LCD	-
13	VEE	Power supply for LCD	-
14	VCONT	LCD adjust voltage	-

Recommended matching connector:51021-1400(Molex)

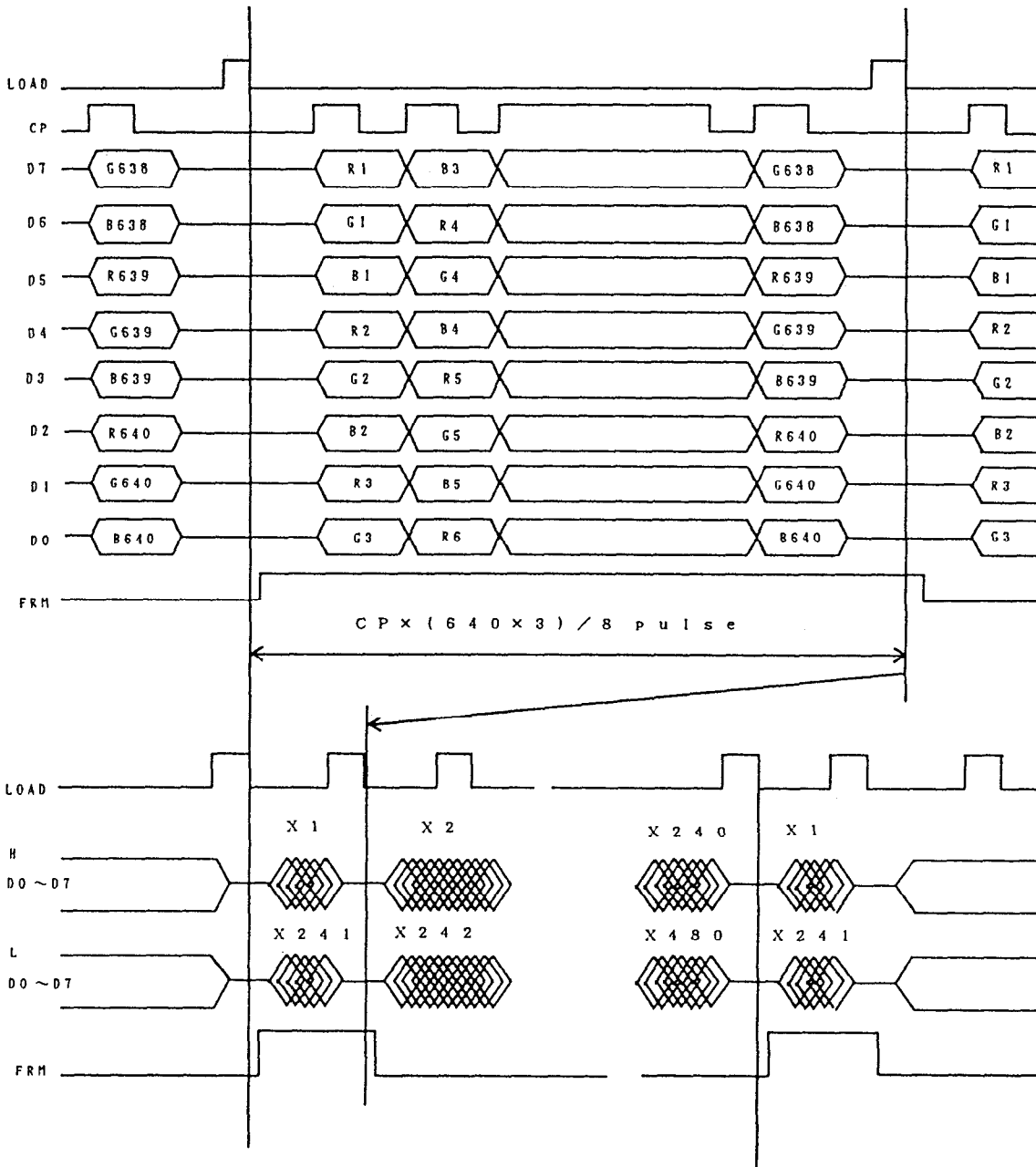
8-2.CFL

CN3:QZ-19-3F01(HONDA)×2

PIN NO.	SYMBOL	DESCRIPTION	LEVEL
1	GND	Ground line(from inverter)	—
2	NC	—	—
3	HV	Power supply for CFL	AC

Recommended matching connector:QZ-19-A3MYL(HONDA)×2

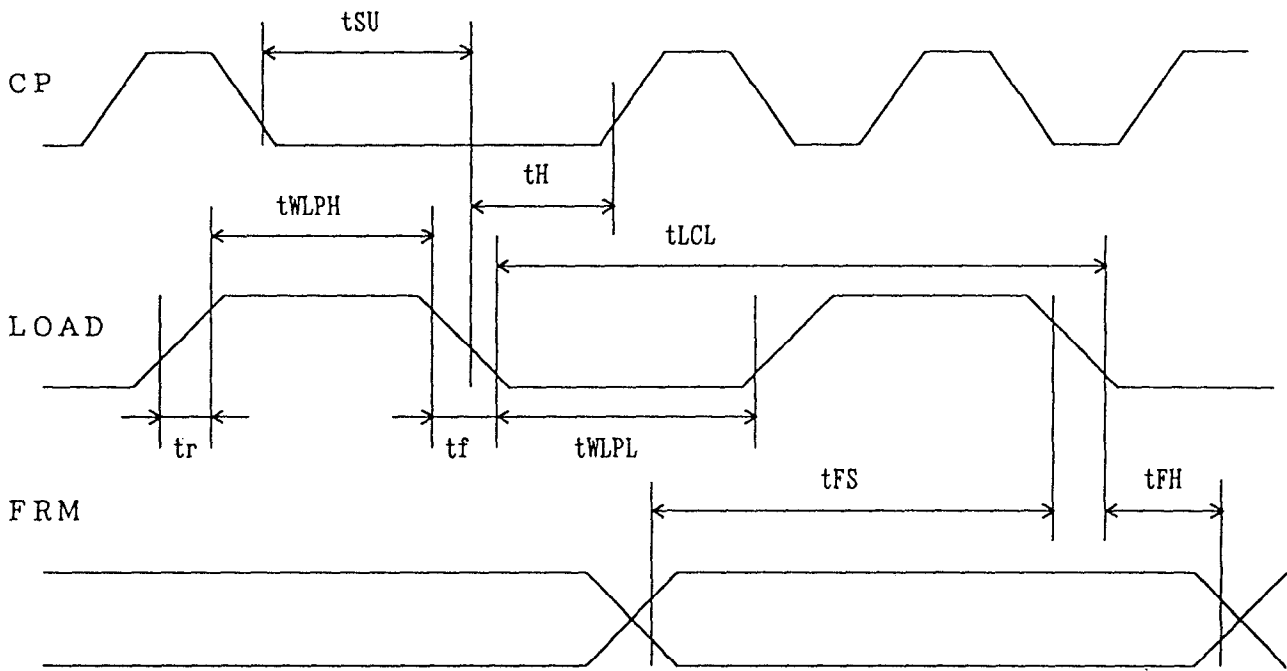
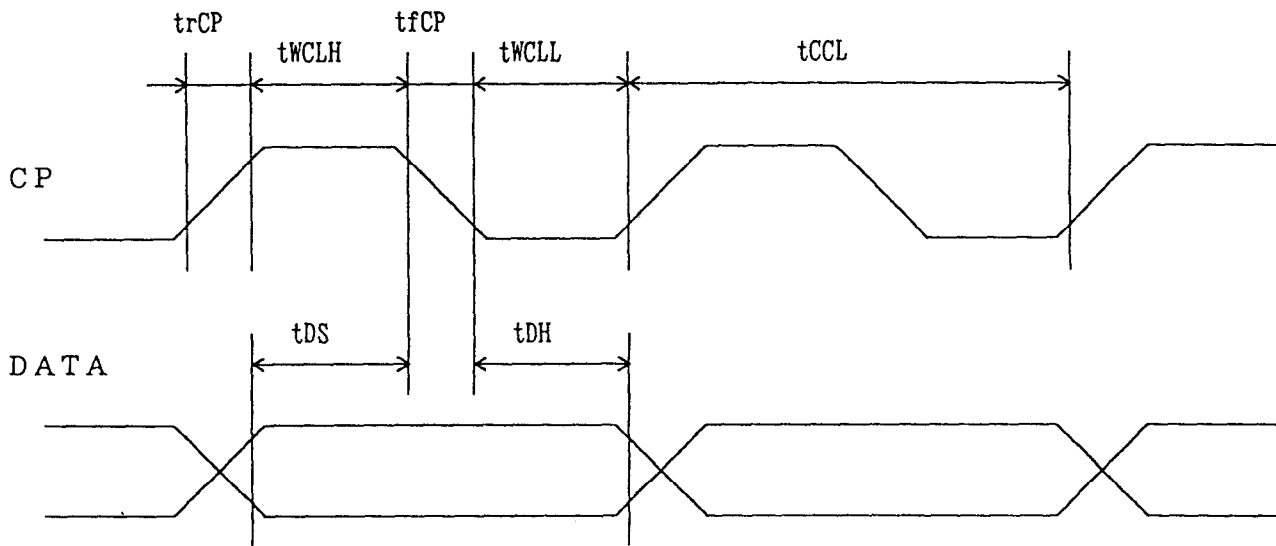
9. Interface Timing Chart



10.Data and Screen

CHIP AREA														
C H I P A R E A	X1	Y1			Y2			Y3				Y640		
	:	HD7 R1	HD6 G1	HD5 B1	HD4 R2	HD3 G2	HD2 B2	HD1 R3	HD0 G3	HD7 B3	HD6 R4	-----	HD2 R640	HD1 G640
X240														
X241														
:	LD7 R1	LD6 G1	LD5 B1	LD4 R2	LD3 G2	LD2 B2	LD1 R3	LD0 G3	LD7 B3	LD6 R4	-----	LD2 R640	LD1 G640	LD0 B640
X480														
CHIP AREA														

1 1. Input Timing Characteristics



11-1. Switching characteristics

Input characteristics ; VDD = +5V ± 5%

Temp.=25°C

ITEM	SYMBOL	MIN.	MAX.	UNIT
CP Cycle *1	tCCL	82	—	ns
CP "H" Pulse Width	tWCLH	30	—	ns
CP "L" Pulse Width	tWCLL	30	—	ns
CP Rise up Time *2	trCP	—	50	ns
CP Fall Down Time *2	tfCP	—	50	ns
Data Set up time	tDS	30	—	ns
Data Hold Time	tDH	25	—	ns
Load "H" Pulse Width	tWLPH	55	—	ns
Load Cycle	tLCL	1,000	—	ns
Data Strobe Set up Time	tSU	30	—	ns
Data Strobe Hold Time	tH	200	—	ns
Input Signal Rise up Time	tr	—	50	ns
Input Signal Fall down Time	tf	—	50	ns
FRM Data Set up Time	tFS	120	—	ns
FRM Data Hold Time	tFH	40	—	ns

*1 CP cycle is adjust so that FRM signal is 75Hz.

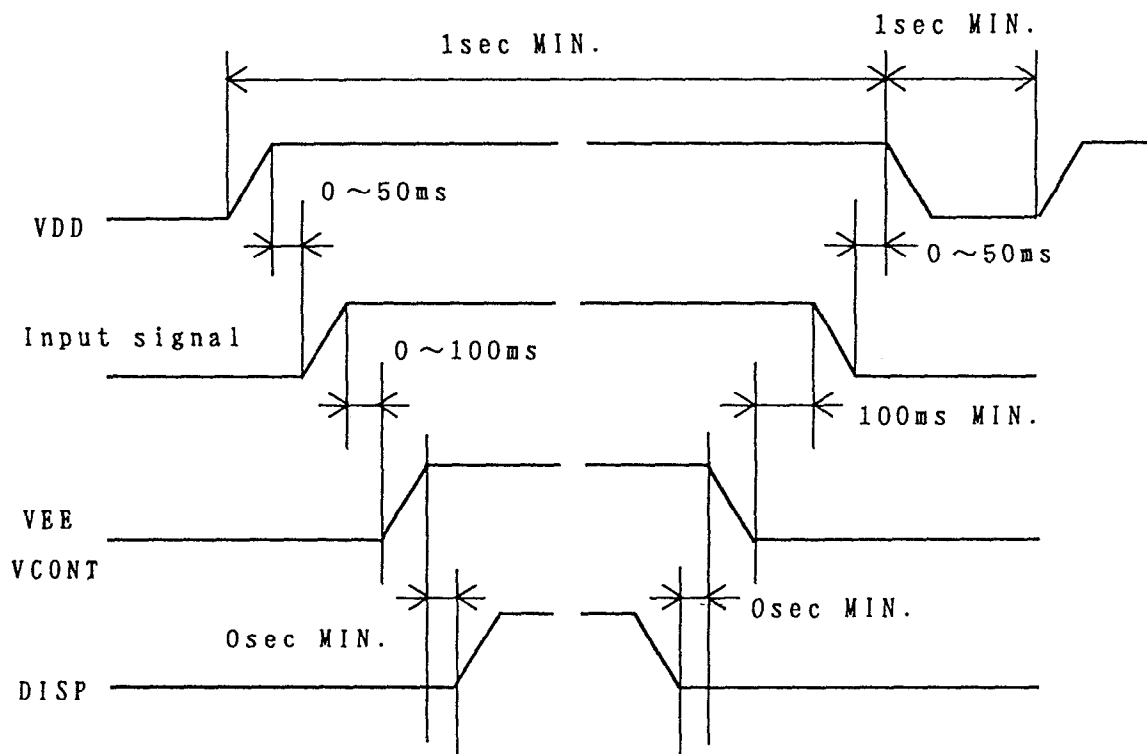
*2 The formura of condition

$$\textcircled{1} \text{ trCP, tfCP} < \{tCCL - (tWCLH + tWCLL)\} / 2$$

Please use on condition that $\textcircled{1}$ is filled.

1 2 . Supply Voltage Sequence Condition

DO NOT apply DC voltage to the LCD panel. DC voltage induce irreversible electrochemical reactions and reduce LCD life. Always follow the power supply ON/OFF sequence of VDD first, input signal second, VEE third and finally DISP. This will prevent DC driving of the LCD or CMOS LSI latch-up as shown below.



1 3 . Backlight Characteristics

13-1 CFL ratings(For one lamp)

Inverter:KCI-04(HITACHI MEDIA ELECTRONICS)

Temp.= 25°C

ITEM	SYMBOL	MIN.	TYP.	MAX.	NOTE
Starting discharge Voltage *1	VS	—	—	1,060Vrms.	0 °C
		—	—	850Vrms.	25 °C
Discharging tube current	IL	2.0 mArms.	3.8 mArms.	6.0 mArms.	—
Discharging tube voltage	VL	—	520 Vrms.	—	—
Operating life *2 (IL=3.8mArms.)	T	—	10,000 Hr.	—	—
Operating frequency	F	30 kHz	—	80 kHz	—

*1 The Non-load output voltage (VS) of the inverter should be designed to have some margin, because VS may increase due to the leak current which may be caused by wiring of CFL cables.(Reference value:1,380Vrms.MIN.)

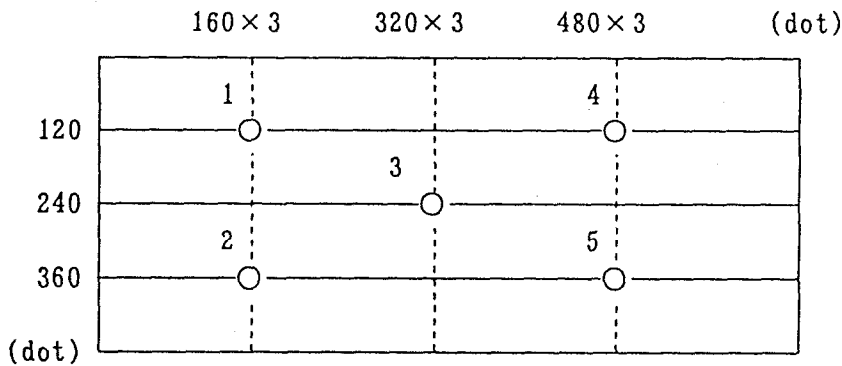
*2 When the illuminance or quantity of light has decreased to 50 % of the initial value.

13-2. Surface Brightness of LCD (IL = 3.8 mArms.×2)

Temp.=25°C

ITEM	MIN.	TYP.	MAX.	UNIT
Brightness	110	150	—	cd/m ²

(Measuring points)



1) Rating is defined as the average brightness inside the viewing area.

2) 30 minutes after CFL is turned on.(Ambient Temp.=25°C)

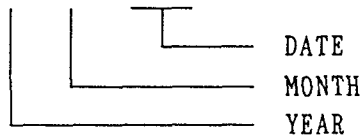
3) The inverter should meet the eccentric conditions;

-Sine, symmetric waveform without spike in positive and negative.

1 4 . Lot Number Identification

The lot number shall be indicated on the back of the backlight case of each LCD.

K C S 6 4 4 8 H S T T - X 2 1 - □ □ - □ □



YEAR	1995	1996	1997	1998	1999	2000
CODE	5	6	7	8	9	0

MONTH	JAN.	FEB.	MAR.	APR.	MAY	JUN
CODE	1	2	3	4	5	6

MONTH	JUL.	AUG.	SEP.	OCT.	NOC.	DEC.
CODE	7	8	9	X	Y	Z

1 5 . Warranty

15-1. Incoming inspection

Please inspect the LCD within one month after your receipt.

15-2. Production Warrnaty

Kyocera warrants its LCDs for a period of 12 months after receipt by the purchaser, and within the limits specified. Kyocera shall, by mutual agreement, replace or rework defective LCDs that are shown to be Kyocera's responsibility.

16. Precautions for use

16-1. Installation of the LCD

1. Please ground either of the mounting(screw) holes located at each corner of an LCD module, in order to stabilize brightness and display quality.
2. The LCD shall be installed so that there is no pressure on the LSI chips.
3. The LCD shall be installed flat, without twisting or bending.
4. The display window size should be the same as the effective viewing area.
5. In case you use outside frame of effective viewing area as outward appearance of your product, unevenness of its outward appearance is out of guarantee.

16-2. Static Electricity

1. Since CMOS ICs are mounted directly onto the LCD glass, protection from static electricity is required. Operation should wear ground straps.

16-3. LCD Operation

1. The LCD shall be operated within the limits specified. Operation at values outside of these limits shorten life, and/or harm display images.
2. Vop must be adjusted to optimize viewing angle and contrast.
3. Operation of the LCD at temperature below the limit specified may cause image degradation and/or bubbles. It may also change the characteristics of the liquid crystal. This phenomenon may not recover. The LCD shall be operated within the temperature limits specified.

16-4. Storage

1. The LCD shall be stored within the temperature and humidity limits specified. Store in a dark area, and protect the LCD from direct sunlight or fluorescent light.
2. The LCD should be packaged to prevent damage.

16-5. Screen Surface

1. DO NOT store in a high humidity environment for extended periods. Image degradation, bubbles, and/or peeling off of polarizers may result.
2. The front polarizer is easily scratched or damaged. Prevent touching it with any hard material, and from being pushed or rubbed.
3. The LCD screen may be cleaned with a soft cloth or cotton pad. Methanol, or Isopropyl Alcohol may be used, but insure that all solvent residue is removed.
4. Water may cause damage or discoloration of the polarizer. Clean any condensation or moisture from any source immediately.
5. Always keep the LCD free from condensation during testing. Condensation may permanently spot or stain the polarizers.

17. Reliability Data / Environmental Test

TEST ITEM	TEST CONDITION	TEST TIME	RESULT
High Temp. Atmosphere	70°C	240hr.	Display Quality : No defect Display Function : No defect Current Consumption: No defect
Low Temp. Atmosphere	-20°C	240hr.	Low Temp.Bubble : None Solid Crystallization of Liquid Crystal : None Display Quality : No defect Display Function : No defect Current Consumption: No defect
High Temp. Humidity Atmosphere	40°C 90%RH	240hr.	Display Quality : No defect Display Function : No defect Peel-off of Organic Sealing : None Current Consumption: No defect
Temp.Cycle	-20°C 0.5hr. R.T. 0.5hr. 70°C 0.5hr.	10cycles	Display Quality : No defect Display Function : No defect Peel-off of Organic Sealing : None Bubble on Cell : None
High Temp. Operation	50°C Vop	500hr.	Display Quality : No defect Current Consumption: No defect

- * Each test item uses a test LCD only once. The tested LCD is not used in any other tests.
- * The LCD is tested in circumstances in which there is no condensation.
- * The tested LCD is inspected after 24 hours of storage at room temperature and room humidity after each test is finished.
- * The reliability test is not an out-going inspection.
- * The results of the reliability test are for your reference purpose only. The reliability test is conducted only to examine the LCD's capability.

Document.No.	TQ3C-8EAC0-E2AAYH24-00
DATE	October 7, 1996

FOR :

KYOCERA INSPECTION STANDARD

TYPE : KCS6448HSTT-X21
(LIQUID CRYSTAL DISPLAY MODULE)

Kyocera Corporation
LCD Division , Hayato Plant

Original	Designed by : Engineering Dept.			Confirmed by : QA Dept.	
Issue Date	Prepared	Checked	Approved	Checked	Approved
Oct. 7, 1996	T. Masuda	H. Taïke	T. Minami	S. Hayashi	Y. Yoshida

Revision Record

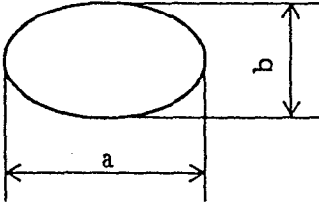
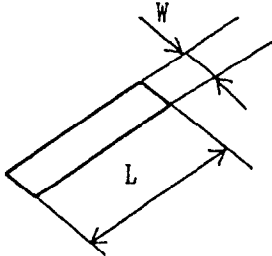
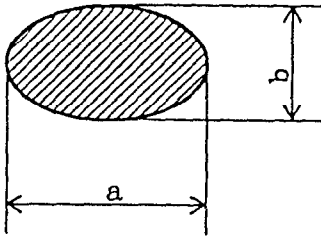
Date		Designed by : Engineering Dept.			Confirmed by :QA Dept.	
		Prepared	Checked	Approved	Checked	Approved
Rev. No.	Date	Page	Descriptions			

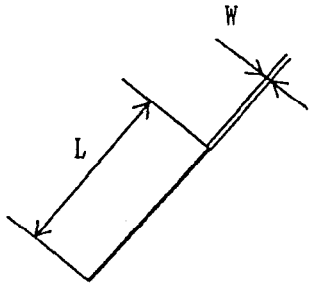
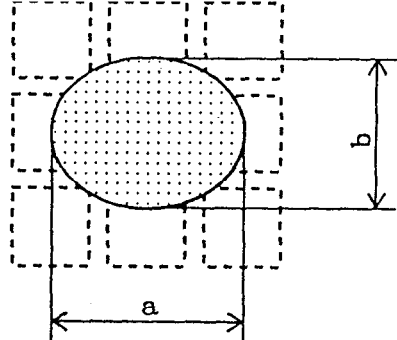
Visuals specification

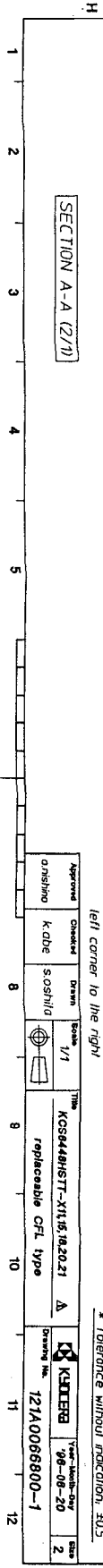
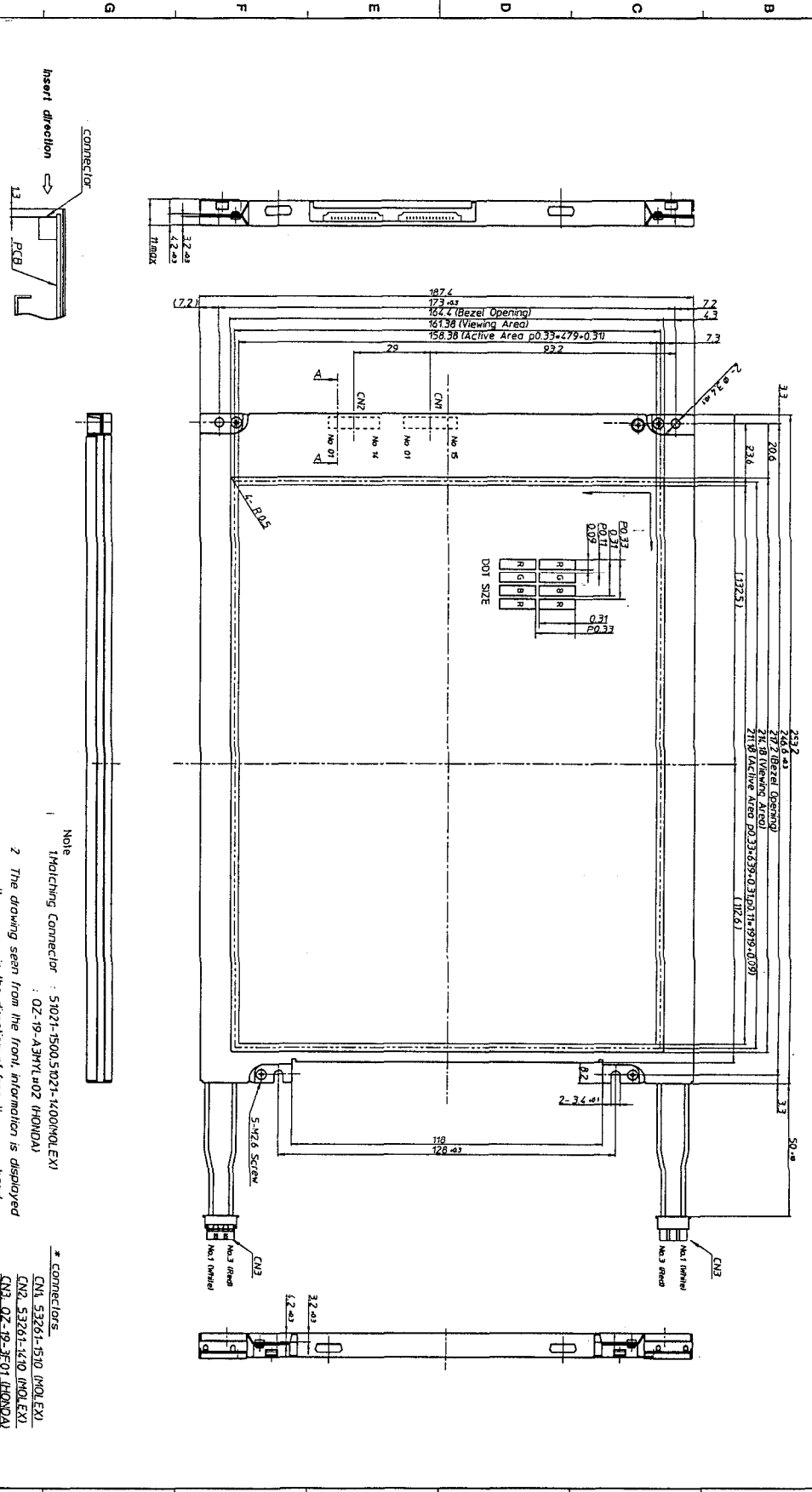
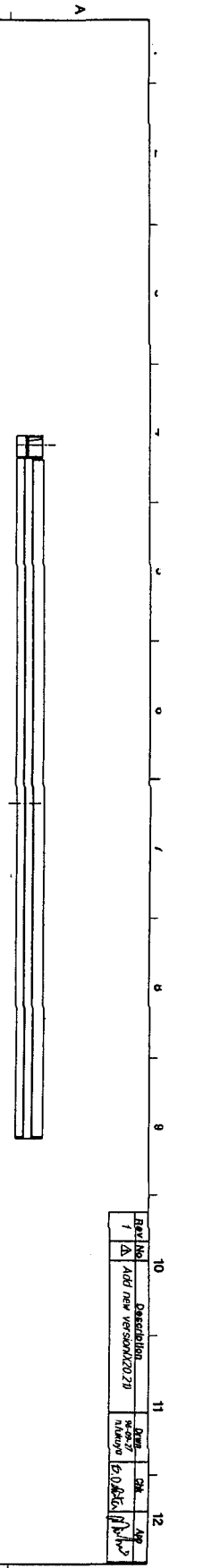
1)Note

Item	Note
General	<p>1. When defects specified in this Inspection Standards are inspected, operating voltage (Vop) shall be set at the level where optimized contrast is available. Display quality is applied up to effective viewing area. (Bi-Level INSPECTION)</p> <p>2. This inspection standard about the image quality shall be applied to any defect within the effective viewing area and shall not be applicable to outside of the area.</p> <p>3. Should any defects which are not specified in this standard happen, additional standard shall be determined by mutual agreement between customer and Kyocera.</p> <p>4. Inspection conditions</p> <p>Luminance : 500 Lux minimum . Inspection distance : 300 mm (from the sample) Temperature : 25 ± 5 °C Direction : right above</p>
Definition of Inspection item	<p>Pinhole, Bright spot Black spot, Scratch Foreign particle</p> <p>The color of a small area is different from the remainder. The phenomenon does not change with voltage.</p>
	<p>Contrast variation</p> <p>The color of a small area is different from the remainder. The phenomenon changes with voltage.</p>
	<p>Polarizer (Scratch, Bubble, Dent)</p> <p>Scratch, Bubble and Dent in the polarizer which can be observed in on / off state.</p>

2)Standard

Inspection item	Judgement standard																						
Pinhole, Bright spot Black spot, Foreign particle	 $d = (a + b) / 2$ <table border="1" data-bbox="586 551 1392 784"> <thead> <tr> <th>Category</th> <th>Size (mm)</th> <th>Acceptable number</th> </tr> </thead> <tbody> <tr> <td>A</td> <td>$d \leq 0.2$</td> <td>neglected</td> </tr> <tr> <td>B</td> <td>$0.2 < d \leq 0.3$</td> <td>5</td> </tr> <tr> <td>C</td> <td>$0.3 < d \leq 0.5$</td> <td>3</td> </tr> <tr> <td>D</td> <td>$0.5 < d$</td> <td>0</td> </tr> </tbody> </table>	Category	Size (mm)	Acceptable number	A	$d \leq 0.2$	neglected	B	$0.2 < d \leq 0.3$	5	C	$0.3 < d \leq 0.5$	3	D	$0.5 < d$	0							
Category	Size (mm)	Acceptable number																					
A	$d \leq 0.2$	neglected																					
B	$0.2 < d \leq 0.3$	5																					
C	$0.3 < d \leq 0.5$	3																					
D	$0.5 < d$	0																					
Scratch, Foreign particle	 <table border="1" data-bbox="553 1152 1417 1446"> <thead> <tr> <th></th> <th>Width (mm)</th> <th>Length (mm)</th> <th>Acceptable No.</th> </tr> </thead> <tbody> <tr> <td>A</td> <td>$W \leq 0.03$</td> <td>—</td> <td>neglected</td> </tr> <tr> <td>B</td> <td rowspan="3">$0.03 < W \leq 0.1$</td> <td>$L \leq 2.0$</td> <td>neglected</td> </tr> <tr> <td>C</td> <td>$2.0 < L \leq 4.0$</td> <td>3</td> </tr> <tr> <td>D</td> <td>$4.0 < L$</td> <td>0</td> </tr> <tr> <td>E</td> <td>$0.1 < W$</td> <td>—</td> <td>According to Circular</td> </tr> </tbody> </table>		Width (mm)	Length (mm)	Acceptable No.	A	$W \leq 0.03$	—	neglected	B	$0.03 < W \leq 0.1$	$L \leq 2.0$	neglected	C	$2.0 < L \leq 4.0$	3	D	$4.0 < L$	0	E	$0.1 < W$	—	According to Circular
	Width (mm)	Length (mm)	Acceptable No.																				
A	$W \leq 0.03$	—	neglected																				
B	$0.03 < W \leq 0.1$	$L \leq 2.0$	neglected																				
C		$2.0 < L \leq 4.0$	3																				
D		$4.0 < L$	0																				
E	$0.1 < W$	—	According to Circular																				
Contrast variation	 $d = (a + b) / 2$ <table border="1" data-bbox="578 1821 1384 2009"> <thead> <tr> <th>Category</th> <th>Size (mm)</th> <th>Acceptable number</th> </tr> </thead> <tbody> <tr> <td>A</td> <td>$d \leq 0.5$</td> <td>neglected</td> </tr> <tr> <td>B</td> <td>$0.5 < d \leq 0.7$</td> <td>3</td> </tr> <tr> <td>C</td> <td>$0.7 < d$</td> <td>0</td> </tr> </tbody> </table>	Category	Size (mm)	Acceptable number	A	$d \leq 0.5$	neglected	B	$0.5 < d \leq 0.7$	3	C	$0.7 < d$	0										
Category	Size (mm)	Acceptable number																					
A	$d \leq 0.5$	neglected																					
B	$0.5 < d \leq 0.7$	3																					
C	$0.7 < d$	0																					

Inspection item	Judgement standard																			
Polarizer (Scratch, Bubble, Dent)	<p data-bbox="531 215 702 249">(1) Scratch</p>  <table border="1" data-bbox="545 669 1412 997"> <thead> <tr> <th></th> <th>Width (mm)</th> <th>Length (mm)</th> <th>Acceptable No.</th> </tr> </thead> <tbody> <tr> <td>A</td> <td>$W \leq 0.1$</td> <td>—</td> <td>neglected</td> </tr> <tr> <td>B</td> <td rowspan="2">$0.1 < W \leq 0.3$</td> <td>$L \leq 5.0$</td> <td>neglected</td> </tr> <tr> <td>C</td> <td>$5.0 < L$</td> <td>0</td> </tr> <tr> <td>D</td> <td>$0.3 < W$</td> <td>—</td> <td>0</td> </tr> </tbody> </table>		Width (mm)	Length (mm)	Acceptable No.	A	$W \leq 0.1$	—	neglected	B	$0.1 < W \leq 0.3$	$L \leq 5.0$	neglected	C	$5.0 < L$	0	D	$0.3 < W$	—	0
	Width (mm)	Length (mm)	Acceptable No.																	
A	$W \leq 0.1$	—	neglected																	
B	$0.1 < W \leq 0.3$	$L \leq 5.0$	neglected																	
C		$5.0 < L$	0																	
D	$0.3 < W$	—	0																	
	<p data-bbox="531 1043 801 1077">(2)Bubble (dent)</p>  <p data-bbox="1015 1576 1280 1610">$d = (a + b) / 2$</p> <table border="1" data-bbox="569 1644 1379 1984"> <thead> <tr> <th>Category</th> <th>Size (mm)</th> <th>Acceptable number</th> </tr> </thead> <tbody> <tr> <td>A</td> <td>$d \leq 0.2$</td> <td>neglected</td> </tr> <tr> <td>B</td> <td>$0.2 < d \leq 0.3$</td> <td>5</td> </tr> <tr> <td>C</td> <td>$0.3 < d \leq 0.5$</td> <td>3</td> </tr> <tr> <td>D</td> <td>$0.5 < d$</td> <td>0</td> </tr> </tbody> </table>	Category	Size (mm)	Acceptable number	A	$d \leq 0.2$	neglected	B	$0.2 < d \leq 0.3$	5	C	$0.3 < d \leq 0.5$	3	D	$0.5 < d$	0				
Category	Size (mm)	Acceptable number																		
A	$d \leq 0.2$	neglected																		
B	$0.2 < d \leq 0.3$	5																		
C	$0.3 < d \leq 0.5$	3																		
D	$0.5 < d$	0																		



Rev. No.	Description	Drawn	CHK	App.
1	Add new version X2021	NISHIKAWA	E. O. K.	Y. S. S.

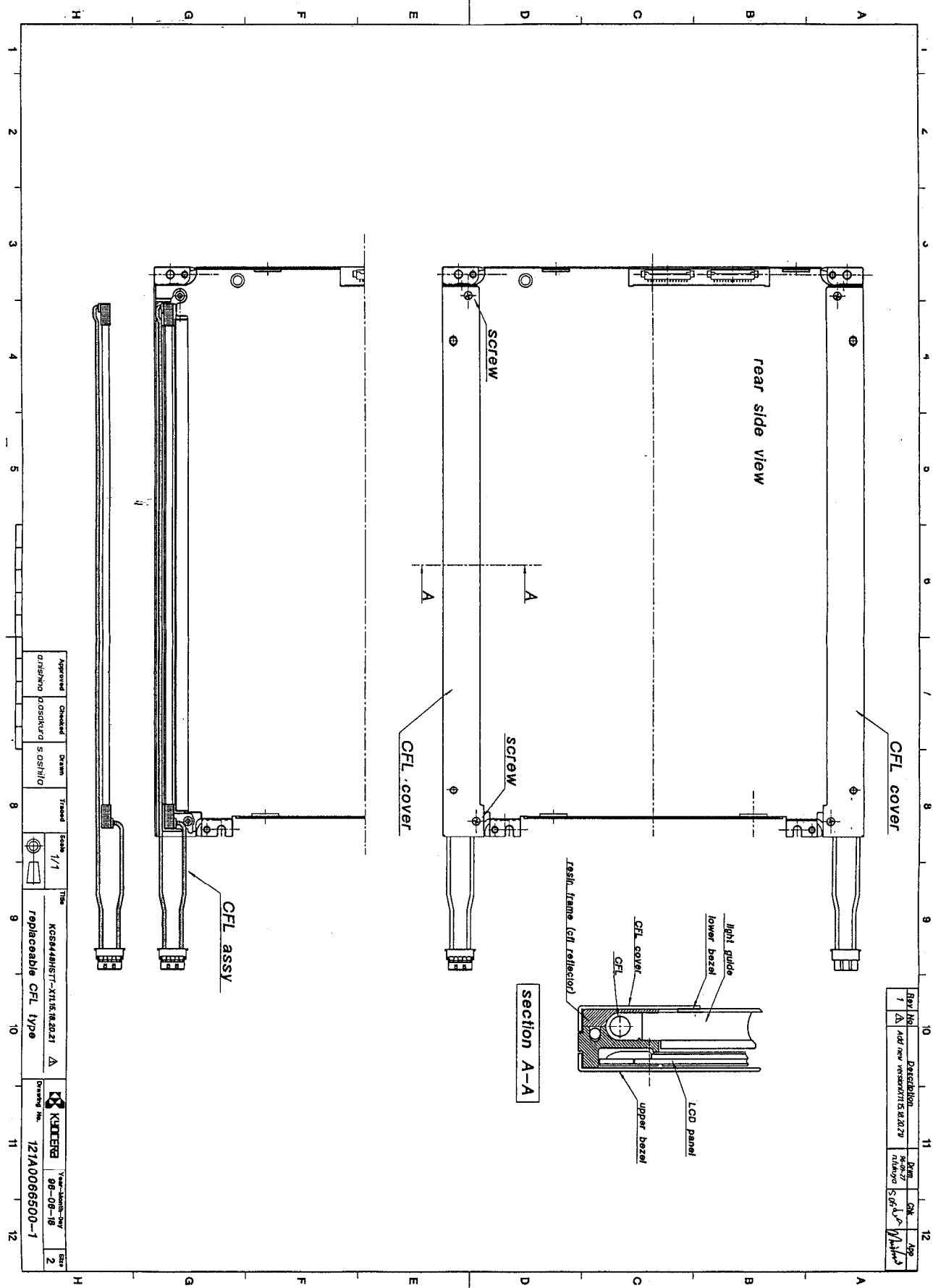
- NOTE
- 1 Matching Connector : 51021-1500, 51021-1400 (MOLEX)
 - 2 The drawing seen from the front, information is displayed on the screen in the direction of from the upper hand left corner to the right

* connectors:
 CN1, 53261-1510 (MOLEX)
 CN2, 53261-1410 (MOLEX)
 CN3, 02-19-3FC01 (HONDA)

† Tolerance without indication, ±0.5

Approved drawing	Checked	Drawn	Scale	Title
onshiro	k abe	soshih	1/1	replaceable CFL type

Drawing No. 121A0066800-1
 Date 06-08-20 2



Rev No	Description	Drawn	CHK	App
1	add new version 15.8.2021	5.08.21	S. Oshio	M. Hoshino

Approved	Checked	Drawn	Traced	Scale	Title	 KUREBA 98-09-18 121A0066500-1
M. Hoshino	S. Oshio	S. Oshio		1/1	replaceable CFL type	