

All information is subject to change without notice. Please read bottom notes.

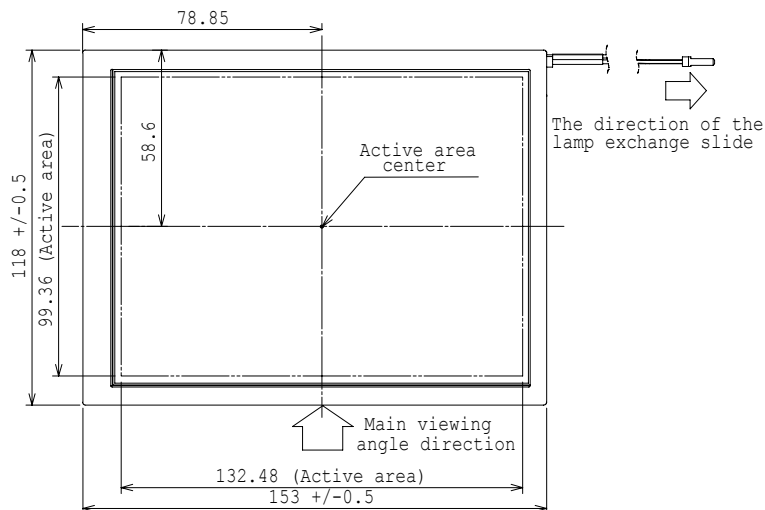
RoHS compatible

FEATURES : (1) Replaceable structure of lamp units
 (2) Wide operation Temperature type
 (3) Reverse scan function

Specification

TENTATIVE

Display size	6.5type(17cm)
Number of Pixels	640(W) X 480(H) (VGA)
Display Mode	TFT-LCD (Transmissive type, Normally-White)
Pixel Pitch (mm)	0.207(W) X 0.207(H)
Luminance (typ.)	250 cd/m ² at $I_{FL}=6.0\text{mA(rms)}$ 160 cd/m ² at $I_{FL}=4.0\text{mA(rms)}$
Response Time (typ.)	$T_{ON}=15\text{ms}$, $T_{OFF}=25\text{ms}$
Contrast	350
Viewing Angle (CR \geq 10)	Vertical : 100 degrees, Horizontal : 120 degrees
I/F Format & Supply voltage	CMOS RGB 6bit, H/V sync+DE, $V_{DD}=3.3\text{V}$
Operating Temperature	-10 to 70 degrees C.
Outline dimension (mm)	153.0(W) X 118.0(H) X 11.0max.(D)mm
Weight (approximately)	250g
Backlight	Sidelight (2 CCFLs)
Power Consumption	4.2W (Except the efficiency of FL inverter)



Rev.0.3R (2006/11/01)

*The information contained herein is presented only as a guide for the applications of our products. No responsibility is assumed by Toshiba Matsushita Display Technology or other rights of the third parties which may result from its use. No license is granted by implication or otherwise under any patent or patent rights of Toshiba Matsushita Display Technology or others.

*The information contained herein may be changed without prior notice. It is therefore advisable to contact Toshiba Matsushita Display Technology before proceeding with the design of equipment incorporating this product.