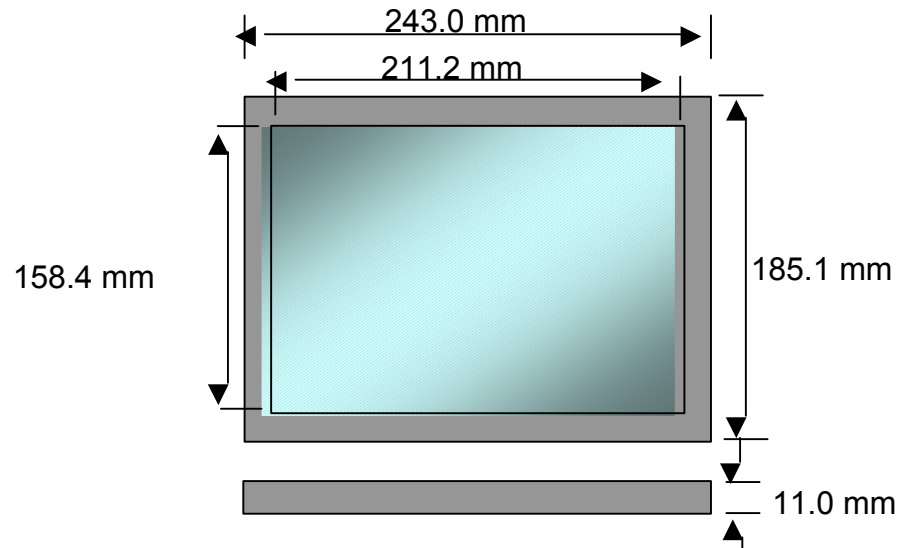


Preliminary Spec. of 10.4"VGA Transflective LCD module

NL6448BC33-50



General Specifications (Target)

No. of pixels	VGA 640 x 480 pixels
Pixel pitch	0.33 (H)×0.33 (V)mm
Luminance	250 cd/m ² (typ. Transmissive mode)
Reflective ratio	(3.5 cd/m ²) (typ. Reflective mode)
Viewing angle	Horizontal: 100 ° (typ. left side ,right side)
CR<10	Vertical : 40 ° (typ. up side)
	45 ° (typ. down side)
Contrast ratio	300 : 1 (typ. Transmissive mode)
	15 : 1 (typ. Reflective mode)
Color gamut	50% (typ., to NTSC, Transmissive mode)
	(35%)(typ., to NTSC, Reflective mode)
Display colors	262,144 colors
Interface signals	6 bit digital signals for each of RGB primary colors
Supply voltage	3.3 V or 5.0 V
Surface treatment	Clear (Low Reflection)
Weight	530g (Typ.)
Operation temp	0 ~ 65°C
Storage temp	20 ~ 80°C
Backlight	Edge light type

Development Schedule

ES2: January, 2002
MP: April, 2002